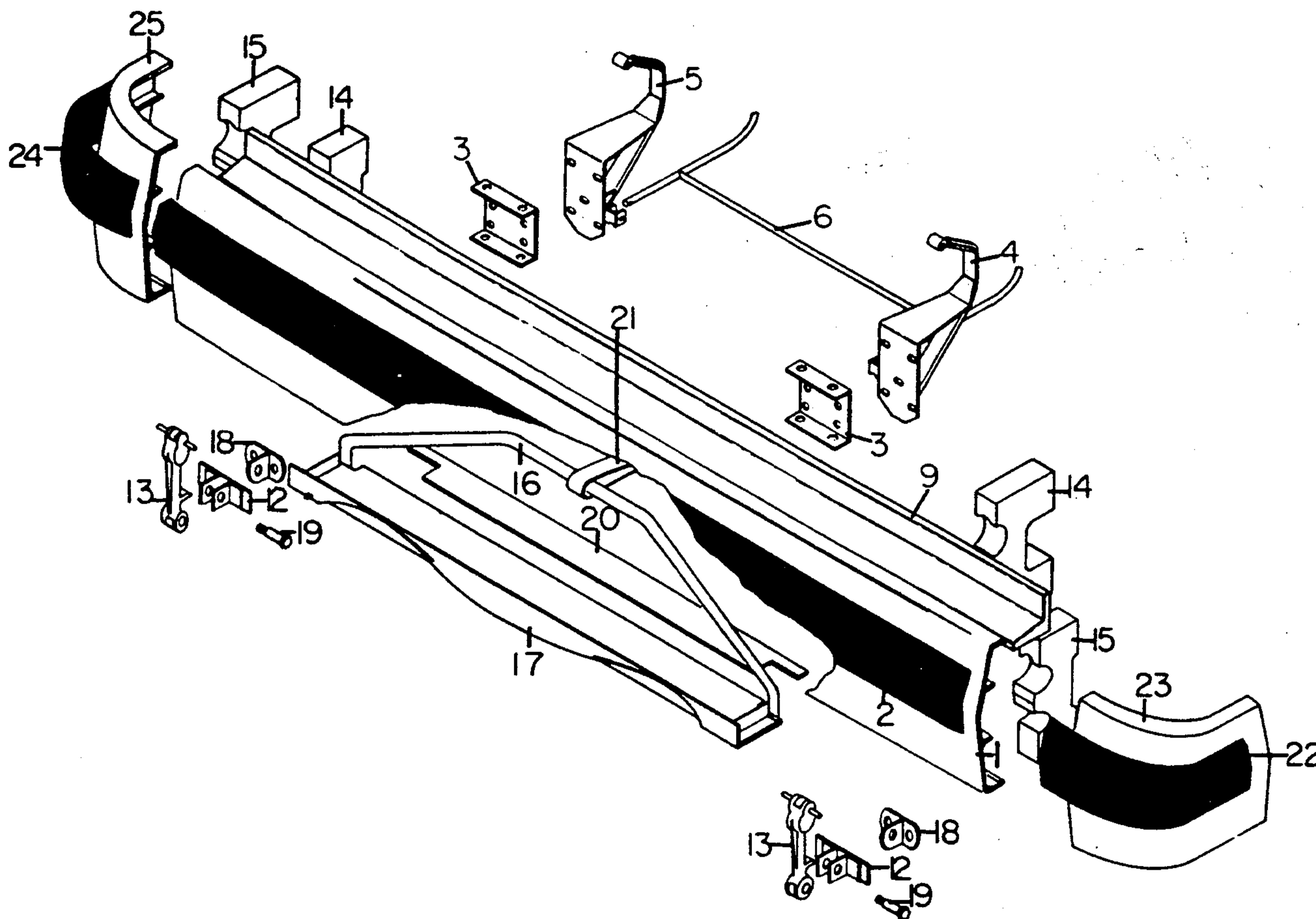


MC-9 PARTS MANUAL



KEY	PART NUMBER	DESCRIPTION	NOTE	QTY.
		FRONT BUMPER		
	3R-21-6	Front Bumper Assembly	a	1
	3G-21-30	Front Bumper Assembly	b	1
	3R-21-5	Front Bumper Assembly - W/Foglights		1
	3R-21-37	Front Bumper Assembly - W/Foglights & Rubber Bumper	a	1
	3R-21-33	Front Bumper Assembly - W/Rubber Bumper	a	1
	3G-21-48	Front Bumper Assembly - W/Rubber Bumper (Option 1.13.1)	b	1
	3G-21-49	Front Bumper Assembly - W/Foglights (Option 3.1.1)	b	1
	3G-21-50	Front Bumper Assembly - W/Foglights & Rubber Bumper	b	1
1	3R-21-10	Blade		1
	3G-21-109	Blade S/A - W/Fog Lights (Opt. 3.1.1)		1
	3R-21-11	Blade - W/Fog Light Holes		1
	3R-21-38	Blade - W/Fog Light & Rubber Bumper Holes		1
	3G-21-108	Blade S/A W/Rubber Rail (Opt. 1.13.1)		1
	3R-21-34	Blade W/Rub Rail Holes		1

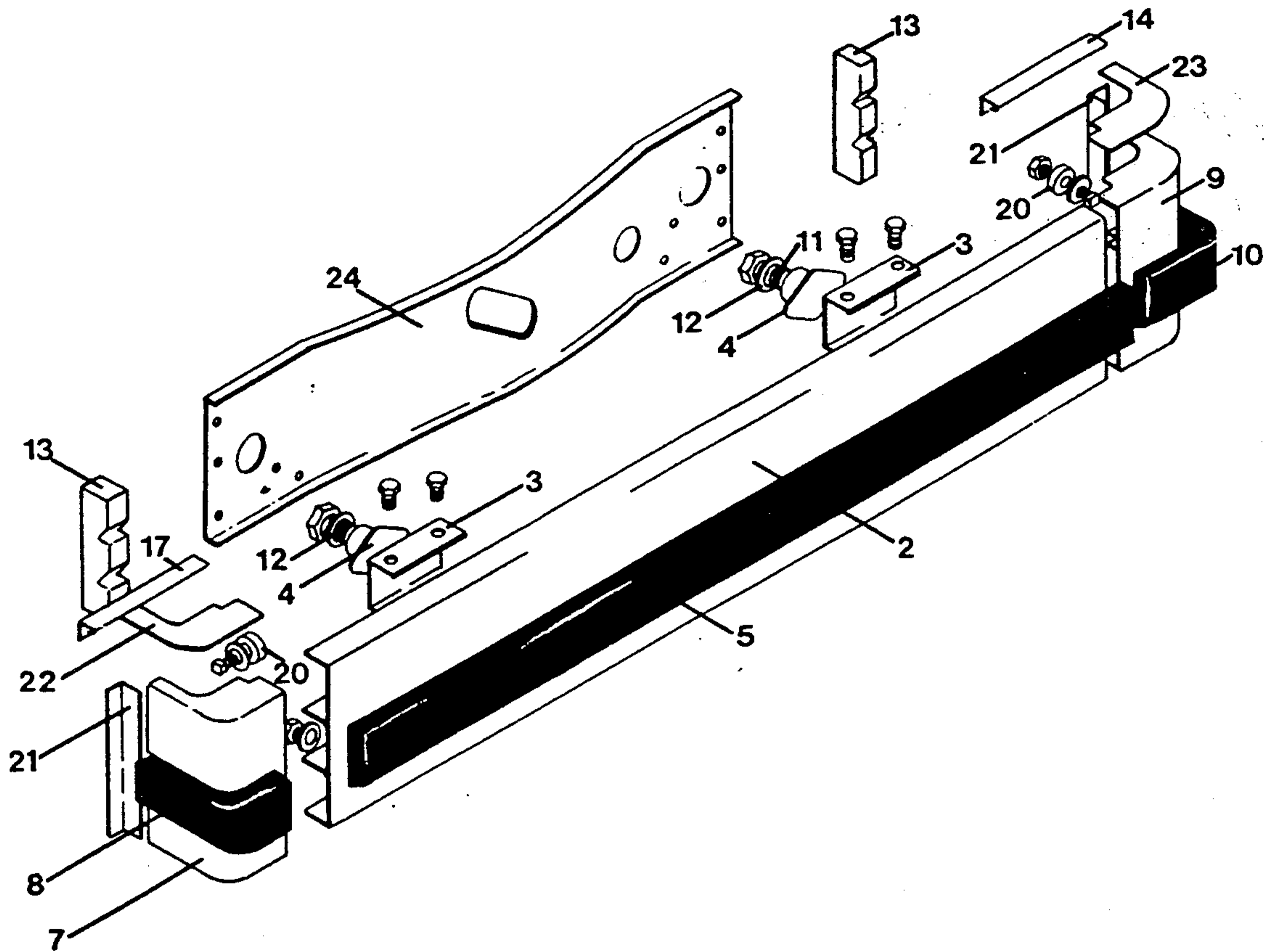
MC-9 PARTS MANUAL

KEY	PART NUMBER	DESCRIPTION	NOTE	QTY.
		FRONT BUMPER CONT'D		
2	3R-21-31	Bumper - Rubber (Option 1.13.1)		1
	3R-21-32	Bumper - Rubber W/Foglight		1
	19-2-119	Fender Washer - Mounting Bumper to Blade		6
3	3R-21-13	"U" - Bracket - Hinge Arm Mounting		2
	19-1-17	Capscrews		9
	19-1-89	Mach. Screws - Truss Hd		4
	19-2-26	Lockwashers		12
	19-2-32	Star Washer - Internal		6
	19-2-8	Flat Washer		20
	19-3-20	Hex Nut		12
	3F-31-554	Bracket - Tire Door Locking		2
4	3R-21-55	Hinge Arm S/A - L.H.	a	1
	3G-21-31	Hinge Arm S/A - L.H.	b	1
5	3R-21-56	Hinge Arm S/A - R.H.	a	1
	3G-21-38	Hinge Arm S/A - R.H.	b	1
	3A-31-174	Bushing Mtg. Hinge to Frame		1
	3G-21-32	Angle S/A - Mtg. - L.H.		1
	3G-21-39	Angle S/A - Mtg. - R.H.		1
	3G-21-36	Bracket - R.H.L.H.		1
	3G-21-37	Gusset - R.H./L.H.		1
	3G-21-96	Bar - Reinf. Hinge Arm - R.H./L.H.		1
	3G-21-35	Hinge Arm - R.H./L.H.		1
	3R-21-17	Bracket - Tire Bar Retaining	a	2
6	3G-21-90	Prop Rod S/A - Locking Fastened at L.H. & R.H. Hinge Arm S/A's	b	1
	3R-21-58	Spring & Catch S/A	a	2
	3C-31-11	Plate - Spring Backing	a	2
9	3R-21-92	Panel S/A - Top of Bumper		2
	3R-35-200	Panel S/A - W/Foglights (Option 3.1.1)		1
	3R-35-204	Panel S/A - W/Foglights (Option 3.1.1)		1
	3R-35-202	Panel - Only		1
	3R-35-205	Panel - Only		1
	19-13-137	Rivet		8
	3R-35-59	Seal - Foglight		1
	3R-35-60	Rubber Ring		1
	3A-21-69	Shoulder Bolt - Hinge		2
	3R-31-230	Bracket S/A - Tire Door Lock		2
12	3F-31-555	Bracket S/A - Rubber Lock Mounting		2
13	3F-31-588	Rubber Lock		2
14	3R-21-8	Block - Inner		2
	3G-21-105	Bumper Block - Inner (Alternate)		2
15	3R-21-1	Block - Outer		2
	3G-21-106	Bumper Block - Outer (Alternate)		2
	3R-21-62	Tire Bar Assembly		1
16	3R-21-63	Tire Bar S/A - Welded		1
17	3G-21-47	Panel & Nameplate S/A		1
	3R-21-67	Panel		1
	3G-21-46	Nameplate - To Drop Bumper		1
18	3C-21-27	Hinge - Tire Bar Assembly		2
19	3A-21-67	Shoulder Bolt - Tire Bar Hinge		2
20	3C-21-6	Angle - Bumper Seal		1
	3C-21-33	Washer - Brass		1
21	3R-21-82	Strap S/A - Spare Tire Retaining		1
	3R-21-84	Bracket - Retaining Strap S/A to Tire Bar		1
	3R-21-115	Bumperette S/A - L.H. Front		1
	3G-21-3	Bumperette S/A - L.H. W/Rubber Bumper & Sedan Door		1
22	3G-21-1	Rubber Bumper		1
23	3G-21-4	Bumperette		1
	19-2-119	Fender Washer		2
	19-2-25	Lockwashers		1
	19-2-32	Star Washer - Internal		2
	19-2-96	Fender Washer		1
	19-3-19	Hex Nuts		1

MC-9 PARTS MANUAL

KEY	PART NUMBER	DESCRIPTION	NOTE	QTY.
		<u>FRONT BUMPER CONT'D</u>		
	19-3-21	Hex Nuts		2
	3R-21-106	Bumperette S/A - R.H. Front, W/Rubber Bumper & Bi-Part Door		1
	3R-21-107	Bumperette S/A - Welded R.H.		1
	3R-21-41	Rubber Bumper		1
	19-2-119	Flat Washer - Mounting Rubber Bumper to Bumperette		2
	3R-21-95	Bumperette S/A - R.H. Front		1
	3G-21-6	Bumperette S/A - R.H. W/Rubber Bumper & Sedan Door		1
24	3G-21-1	Rubber Bumper		1
25	3G-21-7	Bumperette		1
	19-2-119	Fender Washer		2
	19-2-25	Lockwasher		1
	19-2-32	Star Washer		2
	19-2-96	Fender Washer		1
	19-3-19	Hex Nuts		1
	19-3-21	Hex Nuts		2
	3R-21-103	Bumperette S/A - R.H. Front W/Rubber Bumperette & Bi-Art Door		1
	3G-21-5	Bumper - Rubber Tire Door Prop L.H. & R.H.		2
	3R-21-104	Bumperette S/A - Welded L.H. Front		1
	3R-21-41	Rubber Bumper		1
	3R-21-9	Rubber Washer - Bumperette Mounting	a	8
	3R-21-28	Washer - Bumperette Spacer, .081" Thick	a	8
	3R-21-30	Washer - Bumperette Spacer, .250" Thick	a	8
	3R-21-29	Plate - Closing Ends	a	2
	19-1-535	Bolt - Mounting Bumperettes, 3/8" - 16 UNC x 2 1/4" Squ. Hd. Brass		AR
		<p>Note: See Sub-Sections 3.35 & 3.20 for Energy Absorbing Rear Bumper in Conjunction with Rubber Rub Rails.</p> <p>a. Used Prior To MCI Unit #36545; TMC Unit #3900 b. Effective With MCI Unit #36545; TMC Unit #3900</p>		

MC-9 PARTS MANUAL

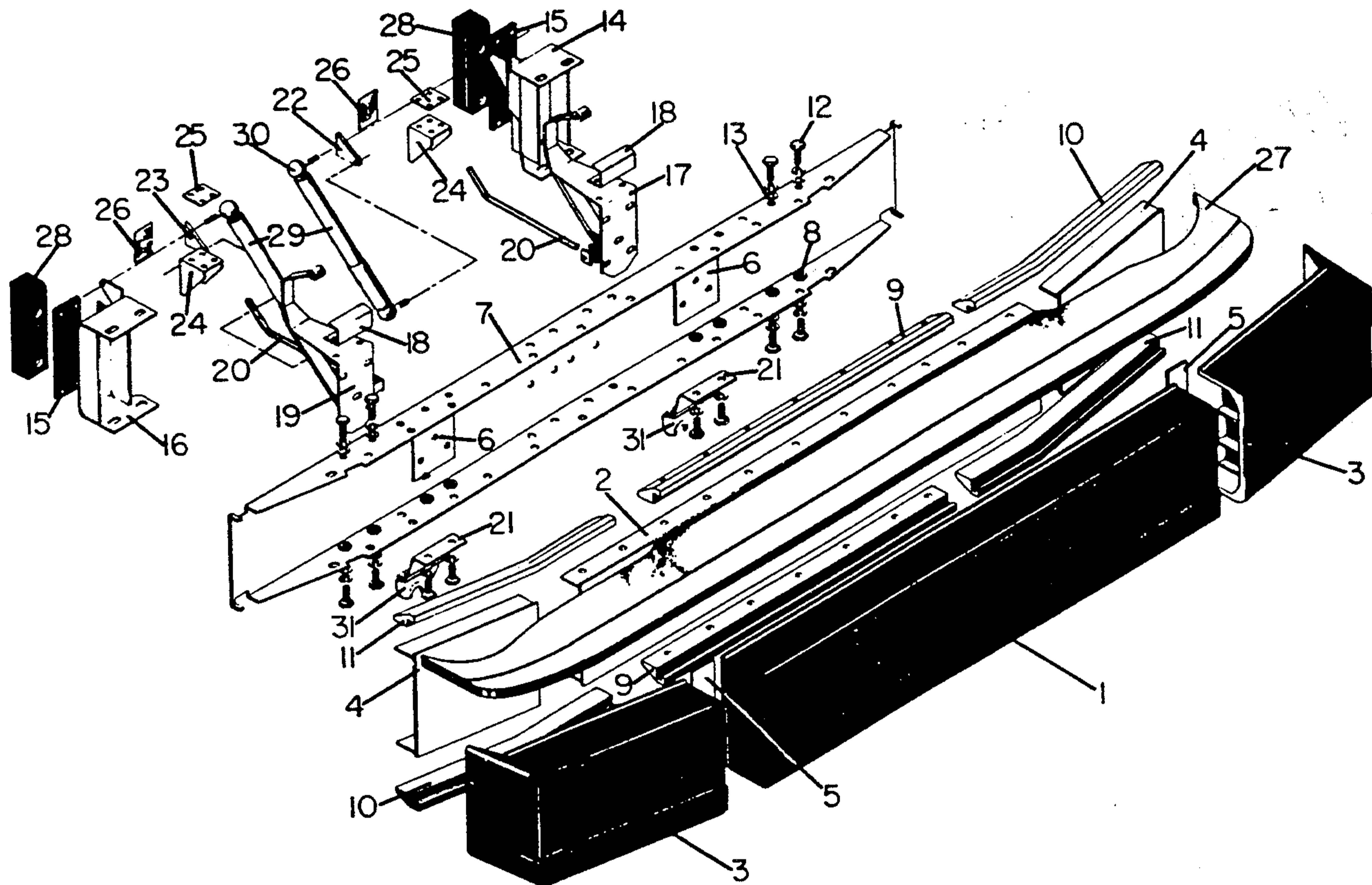


KEY	PART NUMBER	DESCRIPTION	NOTE	QTY.
REAR BUMPER ASSEMBLY				
	3R-21-7	Rear Bumper Assembly (Basic)		1
2	3R-21-10	Blade Only		1
3	3R-21-21	"U"-Bracket - Bumper Mounting		2
4	3C-21-58	Spacer S/A		2
	3R-21-39	Rear Bumper Assembly - C/W Rubber Bumper (Option 1.13.2)		1
2	3R-21-34	Blade Only		1
5	3R-21-31	Rubber Bumper		1
	19-2-119	Flat Washer - Rubber Bumper Mounting		2
	19-1-17	Cap screws		12
	3C-21-58	Spacer S/A		2
	3R-21-21	U-Bracket S/A - Mtg.		
7	3R-21-96	Bumperette S/A - L.H. Rear (Basic)		1
	3G-21-9	Bumperette S/A - L.H. Rear, C/W Rubber Bumper (Option 1.13.2)		1
	3G-21-10	Bumperette S/A - Welded		1
8	3G-21-1	Rubber Bumper		1
	19-2-119	Flat Washer - Rubber Bumper		2
	3R-21-98	Bumperette S/A - R.H. Rear (Basic)		1
9	3G-21-12	Bumperette S/A - R.H. Rear, C/W Rubber Bumper (Option 1.13.2)		1
	3G-21-13	Bumperette S/A - Welded		1
10	3G-21-1	Rubber Bumper		1
	19-2-119	Flat Washer - Rubber Bumper Mounting		2
11	3F-21-8	Stud - Rear Bumper Mounting		2

MC-9 PARTS MANUAL

KEY	PART NUMBER	DESCRIPTION	NOTE	QTY.
		<u>REAR BUMPER ASSEMBLY CONT'D</u>		
12	3A-21-97	Washer - Rear Bumper Mounting		2
13	3R-21-1	Bumper Block - Rubber		2
	3G-21-106	Bumper Block (Alternate)		2
14	3G-35-20	Trim Angle - Closing Top of Rear Bumper, R.H.		1
17	3G-35-19	Trim Angle - Closing Top of Rear Bumper L.H.		1
	3R-21-28	Washer - Bumperette Spacer, Thin		8
	3R-21-30	Washer - Bumperette Spacer, Thick		8
20	3R-21-9	Rubber Washer - Bumperette Spacer		8
21	3R-21-29	Plate - Closing Bumperette Ends		2
22	3R-21-101	Plate - Closing Top of Bumperette, L.H.		1
23	3R-21-102	Plate - Closing Top of Bumperette, R.H.		1
24	3B-24-1	Tie Bar - Front of Rear Bumper		1
	19-1-535	Bolt - Mounting Bumperette, 3/8" - 16 UNC x 2 1/4" Squ. Hd. Brass.		A.R.
	3B-24-3	Washer - Mounting Tie Bar		10

MC-9 PARTS MANUAL

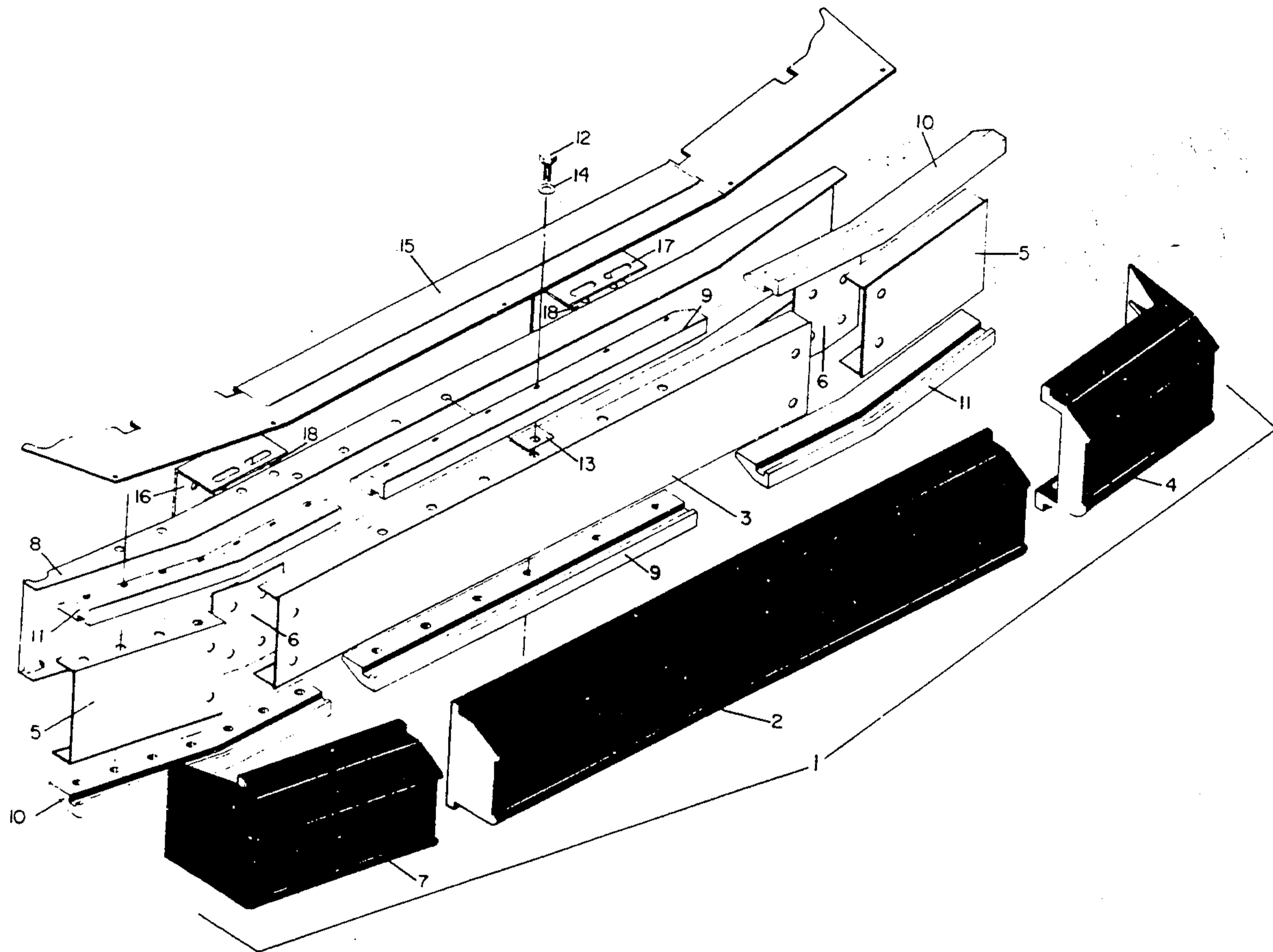


KEY	PART NUMBER	DESCRIPTION	NOTE	QTY.
		<u>ENERGY ABSORBING FRONT BUMPER</u> (Option 1.13.4)		
	3G-21-43	Bumper Assembly - Front Energy Absorbing		1
	3D-21-12	Bumper S/A - Energy Absorbing		1
1	3G-21-66	Center Module		1
2	3G-21-53	Plate - Back		1
3	3G-21-94	Module End		2
4	3G-21-55	Plate - Back, Ends		2
5	3G-21-56	Spacer		1
	3G-21-67	Back Structure		1
6	3G-21-68	Tapping Plate		2
7	3G-21-69	Back Structure		1
8	3G-21-59	Nut - Hex., 1/2"		8
9	3G-21-51	Clamp - Center		2
10	3G-21-60	Clamp - End, L.H. Top R.H. Bottom		2
11	3G-21-61	Clamp - End, L.H. Bottom R.H. Top		2
12	3G-21-70	Bolt - Hex., 1/2" - 13 x 2.25" Lg.		38
	3G-21-71	Nut Retainer		34
13	3G-21-72	Washer - Hex., 1/2"		4

MC-9 PARTS MANUAL

KEY	PART NUMBER	DESCRIPTION	NOTE	QTY.
<u>ENERGY ABSORBING FRONT BUMPER CONT'D</u>				
8	3G-21-59	Nut - Hex., 1/2"		4
	3G-21-73	Label		1
14	3D-21-16	Bracket S/A - L.H.		1
	3G-21-64	Bracket S/A - Welded		1
15	3D-21-20	Rubber Pad		1
16	3D-21-22	Bracket S/A - R.H.		1
	3G-21-65	Bracket S/A - Welded		1
15	3D-21-20	Rubber Pad		1
17	3G-21-31	Hinge Arm S/A - L.H. Front		1
19	3G-21-38	Hinge Arm S/A - R.H. Front		1
	3G-21-92	Bracket - Supporting Fiberglass Cover, L.H. & R.H.		2
20	3G-21-90	Prop Rod - Locking		2
21	3D-21-29	Bracket - Catch, Mounting Front Bumper		2
	3D-21-30	Bracket - L.H. Spring Support Mtg.		1
22	3G-21-99	Bracket - L.H. Spring Support Mounting on Frame (Alt)		1
	3D-21-31	Bracket - R.H. Spring Support Mtg.		1
23	3G-21-100	Bracket - R.H. Spring Support Mounting on Frame (Alt.)		1
	3D-21-32	Channel - Mtg. Front Bumper Assy. - Energy Absorbing (Option 1.13.4)		2
	3D-21-39	Bracket - L.H. & R.H. Bumper Assembly Support		2
24	3D-21-40	Bracket		1
25	3D-21-33	Wear Plate		1
26	3D-21-34	Screen Gasket Support		1
27	3D-21-14	Panel - Closing Top of Bumper Assembly		1
28	3D-21-37	Block - Rubber Outer		2
	3D-35-42	Gas Spring Assy.		2
29	3D-21-9	Spring - Gas		2
30	3D-21-10	Ball - Gas Spring		4
	3D-21-11	Cup - Gas Spring		4
31	3F-31-554	Catch		2
	3D-35-105	Panel - L.H. - Behind Front Bumper		1
	3D-35-106	Panel - R.H. - Behind Front Bumper		1
	3D-21-35	Panel - Closing Bumperette L.H. W/Energy Absorbing Front Bumper		1
	3D-21-36	Panel - Closing Bumperette R.H. w/Energy Absorbing Bumper & Bi-Part Door		1
	3D-21-41	Panel - Closing Bumperette R.H. W/Energy Absorbing Bumper & Sedan Door		1
	3G-21-88	Spacer - Heavy - 1/4" x 3/4" x 4"		2
	3G-21-89	Spacer - Light - #16GA x 3/4" x 4"		2

MC-9 PARTS MANUAL



KEY	PART NUMBER	DESCRIPTION	NOTE	QTY.
		<u>ENERGY ABSORBING REAR BUMPER</u> Option 1.13.5		
1	3G-21-17	Bumper Assembly - Energy Absorbing		1
2	3G-21-52	Module - Center		1
3	3G-21-53	Plate - Back, Center		1
4	3G-21-54	Module - End, R.H.		2
5	3G-21-55	Plate - Back, L.H. & R.H.		2
6	3G-21-56	Spacer		1
7	3G-21-57	Module - End, L.H.		1
8	3G-21-58	Back Up Structure		1
	3G-21-59	Nut - Hex., 1/2"		4
9	3G-21-51	Clamp - Center		2
10	3G-21-60	Clamp - End L.H. Top R.H. Bottom		2
11	3G-21-61	Clamp - End R.H. Top L.H. Bottom		2
12	19-1-30	Bolt Hex. - 1/2" - 13 x 2.25"		38
13	3G-21-62	Nut Retainer		34
14	19-2-10	Washer Flat - 1/2"		42
	19-3-23	Nut - Hex., 1/2"		42
	3G-21-63	Label		1

MC-9 PARTS MANUAL

KEY	PART NUMBER	DESCRIPTION	NOTE	QTY.
		<u>ENERGY ABSORBING REAR BUMPER CONT'D</u> Option 1.13.5		
15	3G-21-18	Closing Panel - Rear Bumper		1
16	3G-21-19	Bracket S/A - L.H. Mounting Rear Bumper		1
17	3G-21-22	Bracket S/A - R.H. Mounting Rear Bumper		1
	3G-21-20	Bracket - Only - L.H.		1
	3G-21-23	Bracket - Only - R.H.		1
	3G-21-21	Gusset		2
18	3G-21-24	Spacer - 1/4"		4
18	3G-21-25	Spacer - 1/8"		4